

Qty. Description

1 **CMBE 3-51 I-A-C-D-D-A**



Product No.: [99877061](#)

The Grundfos CME Booster is a compact booster system for water supply in domestic applications. The integrated speed controller enables the CME Booster to keep constant pressure in the pipe system. A pressure sensor monitoring changes in the water consumption will signal to the speed controller to change the motor speed to adapt performance to the new state. The CME Booster is very easy to install. When the pipework has been installed, it is all a matter of plugging the unit into a socket, and the system is operational.

The CME Booster consists of:

- CME pump with integrated frequency converter
- 5-way valve
- expansion tank
- pressure gauge

Features

- Constant pressure, integrated speed control
- compact
- robust, stainless steel
- easy installation
- dry run protection

Thermal protection

CME Booster pumps require no external motor protection. The MGE motor incorporates thermal protection against slow overloading and blocking (IEC 34.11: TP 211).

Applications

Grundfos CMBE Booster is mainly used for domestic and light commercial water supply or booster systems.

NB:

Suction lift: Max. 1 m, including suction-pipe pressure loss at a liquid temperature of +20 °C. (not self-priming)

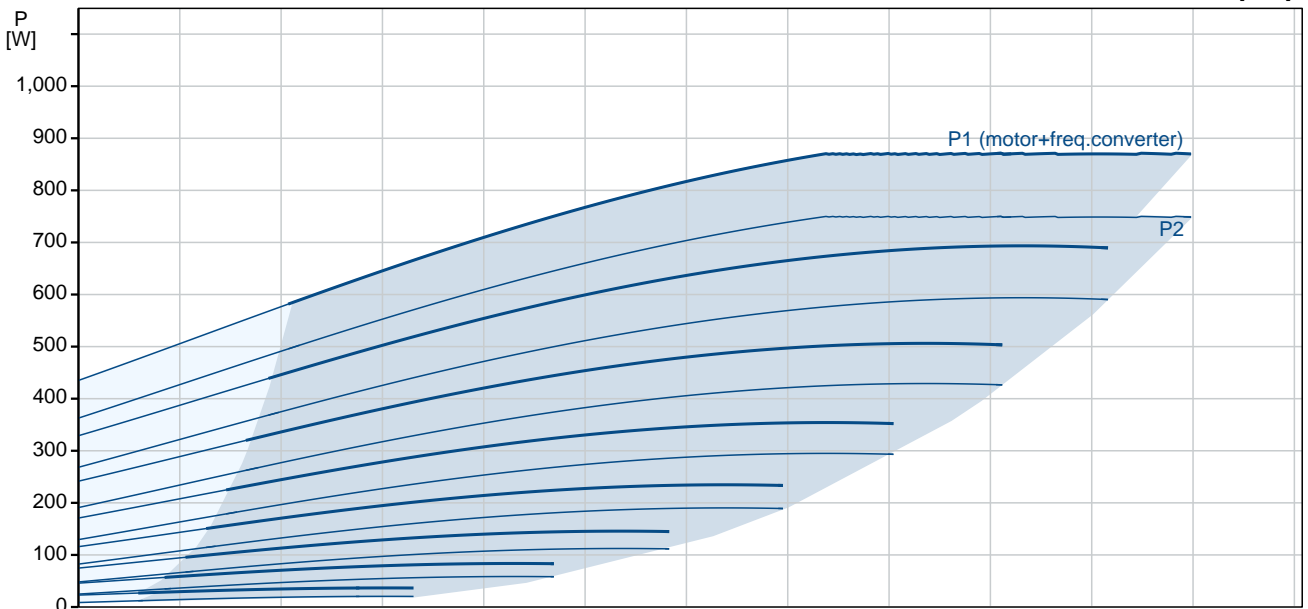
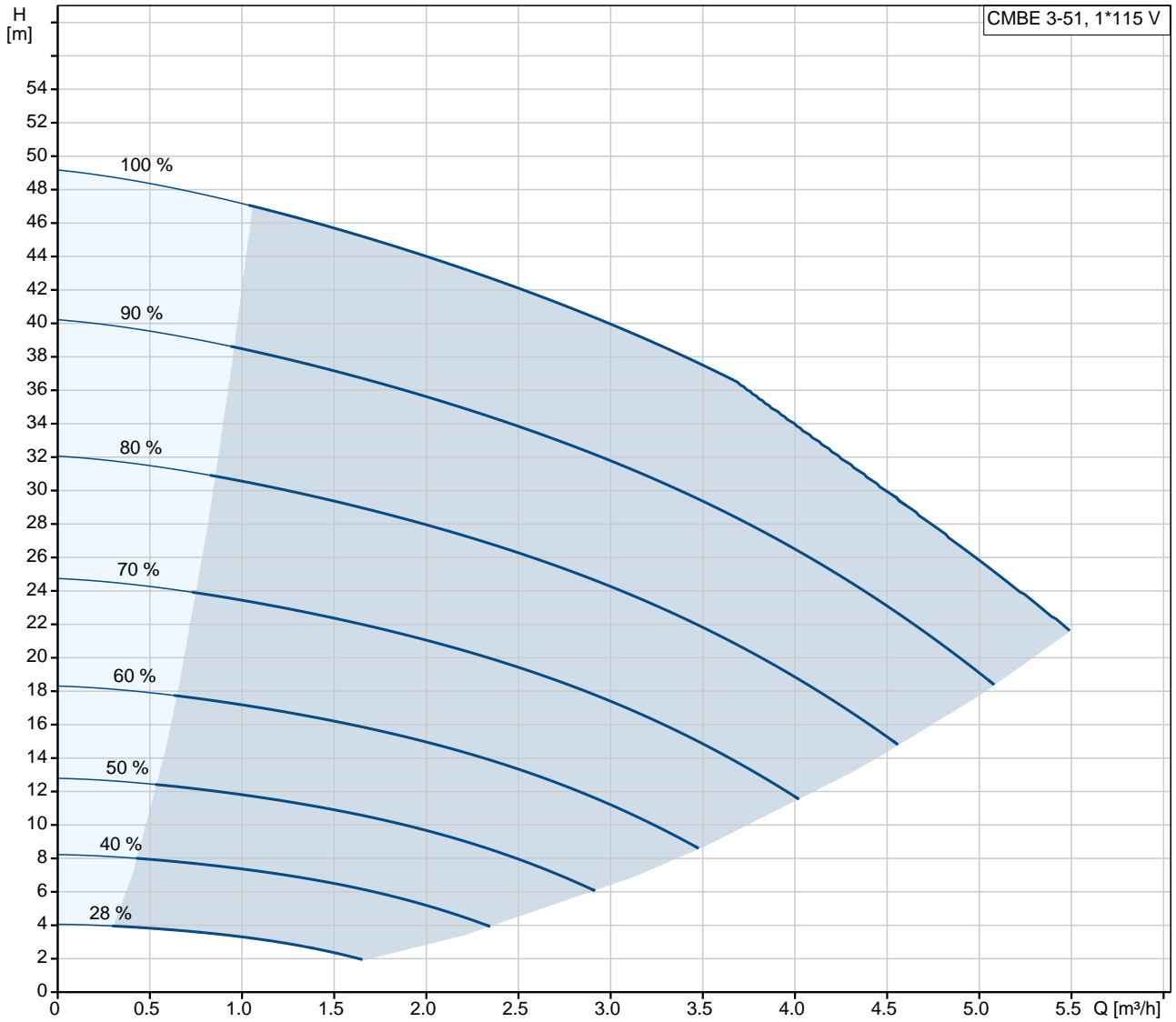
Liquid:

Pumped liquid: Water
 Liquid temperature range: 273 .. 333 K
 Selected liquid temperature: 293 K
 Density: 998.2 kg/m³

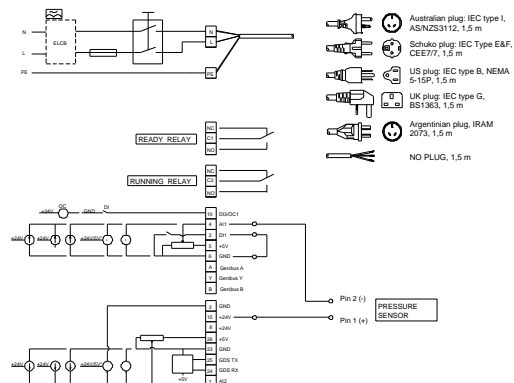
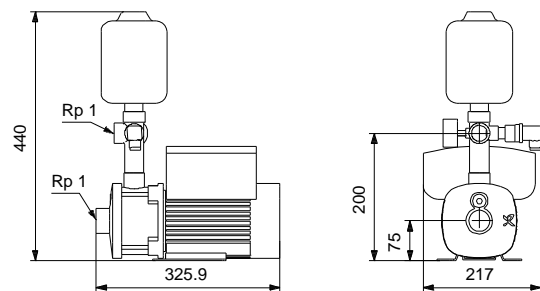
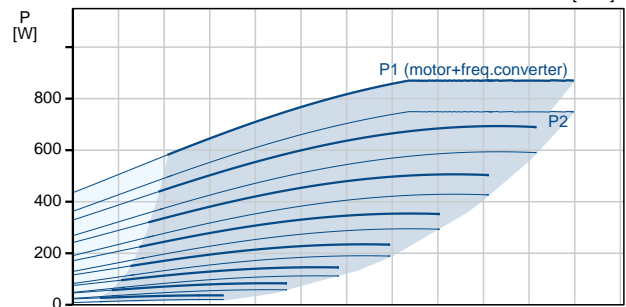
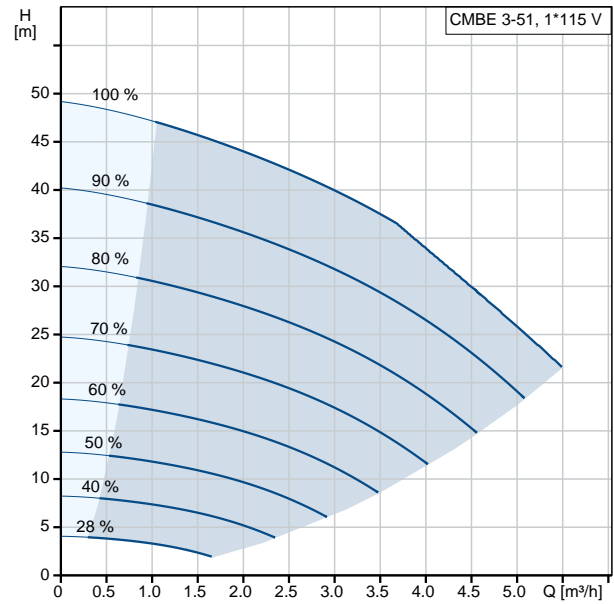
Technical:

Pump speed on which pump data are based: 3780 rpm
 Rated flow: 3.7 m³/h
 Rated head: 29.2 m

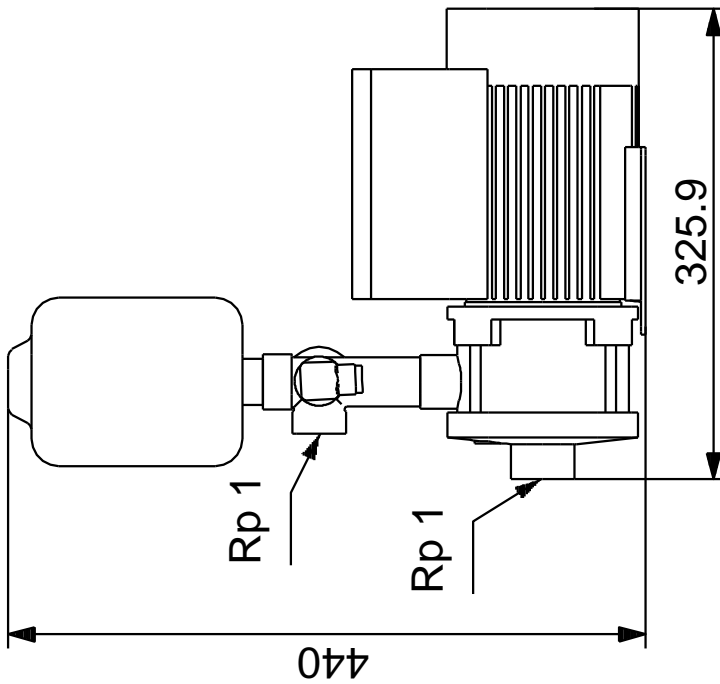
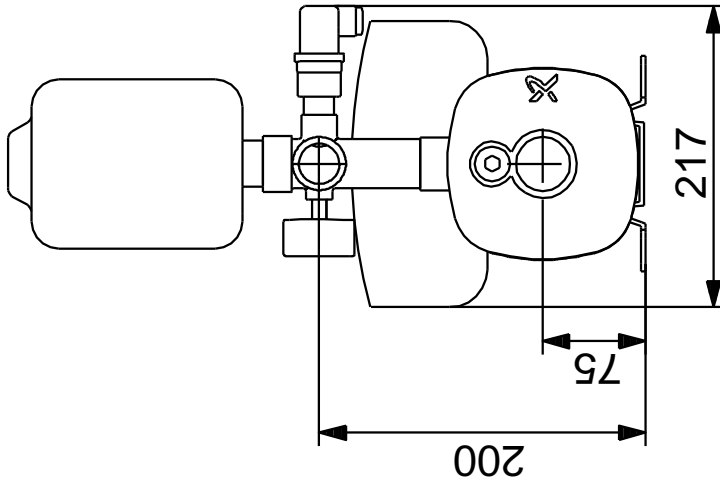
99877061 CMBE 3-51 I-A-C-D-D-A



Description	Value
General information:	
Product name:	CMBE 3-51 I-A-C-D-D-A
Product No:	99877061
EAN number:	5713835589484
Technical:	
Pump speed on which pump data are based:	3780 rpm
Rated flow:	3.7 m ³ /h
Rated head:	29.2 m
Impellers:	3
Primary shaft seal:	AQQE
Approvals and markings:	CE
Curve tolerance:	ISO9906:2012 3B
Model:	A
Return valve:	YES
Start pressure:	Integrated Frequency converter
Materials:	
Pump housing:	Stainless steel
Pump housing:	DIN W.-Nr. 1.4301
Pump housing:	AISI 304
Impeller:	Stainless steel
Impeller:	DIN W.-Nr. 1.4301
Impeller:	AISI 304
Rubber:	EPDM
Installation:	
Maximum ambient temperature:	318 K
Flange standard:	R EXTERNAL THREAD
Pump inlet:	Rp 1
Pump outlet:	Rp 1
Liquid:	
Pumped liquid:	Water
Liquid temperature range:	273 .. 333 K
Selected liquid temperature:	293 K
Density:	998.2 kg/m ³
Electrical data:	
Rated power - P2:	0.75 kW
Mains frequency:	50 / 60 Hz
Rated voltage:	1 x 220 V
Maximum current consumption:	8 A
p max system:	1000 kPa
Rated speed:	360-4000 rpm
Enclosure class (IEC 34-5):	IP55
Insulation class (IEC 85):	F
Type of cable plug:	NONE
Mains cable:	1.5 m
Tank:	
Tank volume:	2 l
Others:	
Net weight:	16.9 kg
Gross weight:	26.9 kg
Config. file no:	98845993
Country of origin:	TW
Custom tariff no.:	8413700000



99877061 CMBE 3-51 I-A-C-D-D-A



Note! All units are in [mm] unless others are stated.
 Disclaimer: This simplified dimensional drawing does not show all details.